



HCB Auto Tools

Hwang Cherng Bin Specialty Tools Inc. (HCB)

TRUCK JACK STAND 15,000 LBS



Price: [Call for Pricing](#)

Product Description :

MST

2008 TRUCK JACK STAND 15,000 LBS

'Product Info'

Model/Item No. :

H.C.B-A2157

Country of Origin :

Taiwan

Brand :

H.C.B

Product Specifications /Features :

* Spring loaded caster for easy positioning and portability.

Primary Competitive Advantages :

Well and High Quality Control, Prompt Delivery, New Product, Customer's Design and Logo are Welcome, Competitive Prices

Sales Method :

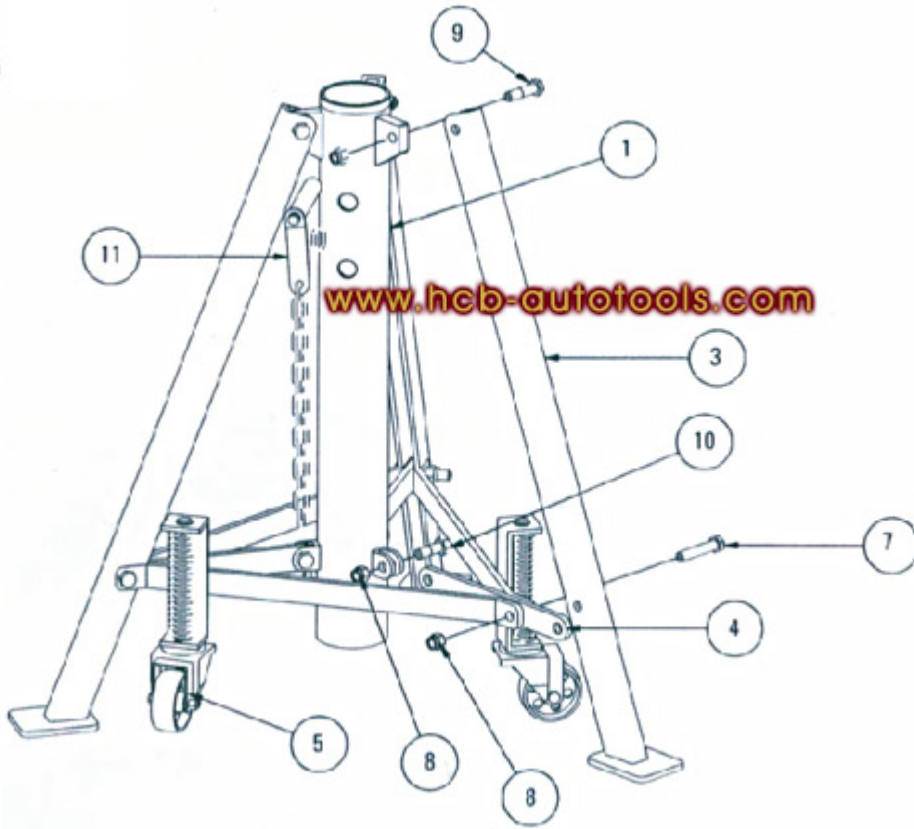
Export, Manufacture

Payment Term :

T/T, L/C at Sight

Item	Part No.	Description	QTY.
1	H.C.B-A2157-1	Main Tube	1
2	H.C.B-A2157-2	Removal Tube	1
3	H.C.B-A2157-3	Leg	3
4	H.C.B-A2157-4	Link	3
5	H.C.B-A2157-5	Spring Loaded	3
6	H.C.B-A2157-6	Saddle	1
7	H.C.B-A2157-7	Screw	3
8	H.C.B-A2157-8	Nut	9
9	H.C.B-A2157-9	Screw	3
10	H.C.B-A2157-10	Screw	3
11	H.C.B-A2157-11	Load Pin	1
12	H.C.B-A2157-12	Grip	9
13	H.C.B-A2157-13	Set Screw	2





■ Spring loaded caster wheels for easy positioning and portability.

Specification	Width	Length	Height	Stroke	N.W.	G.W.
Size	803.3mm	698.5	870	540	45kg	47kg

